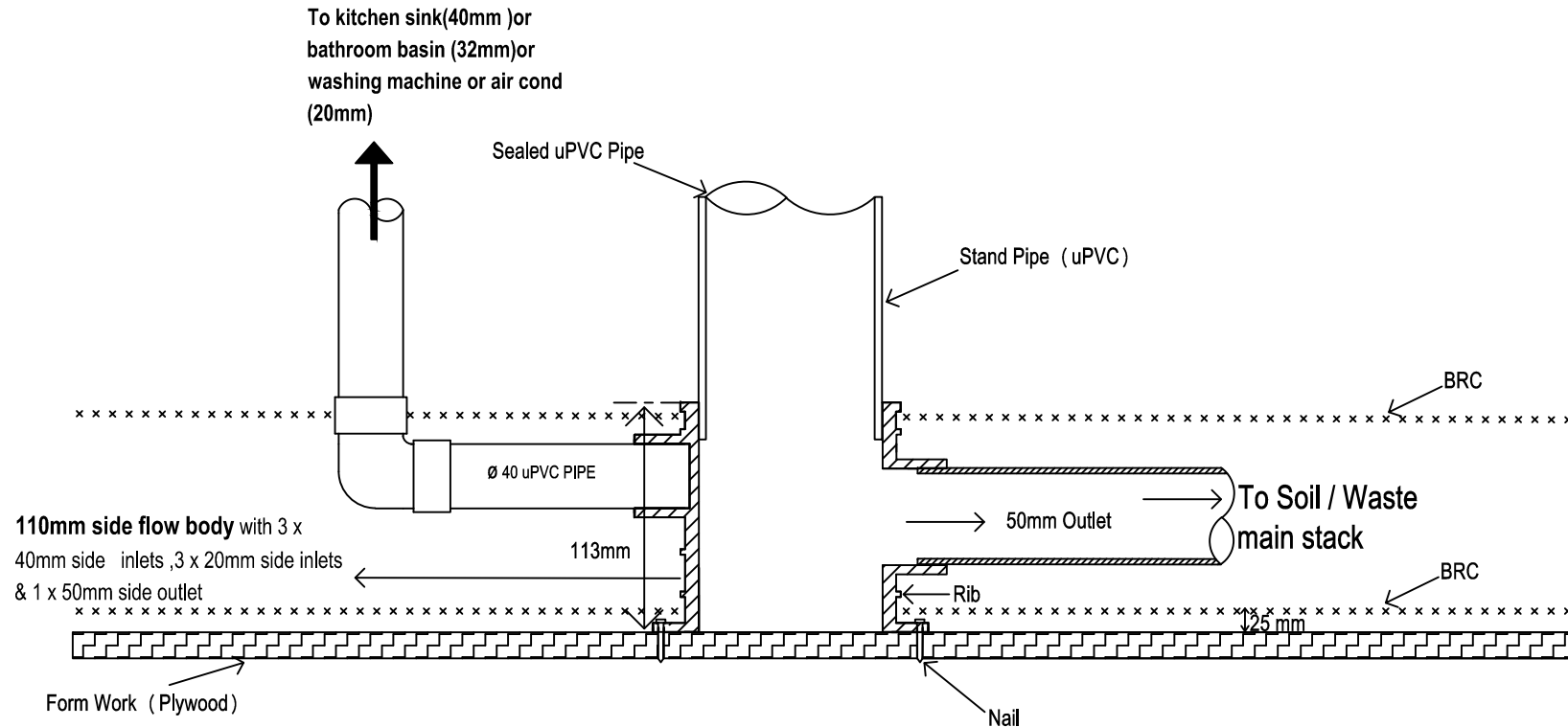


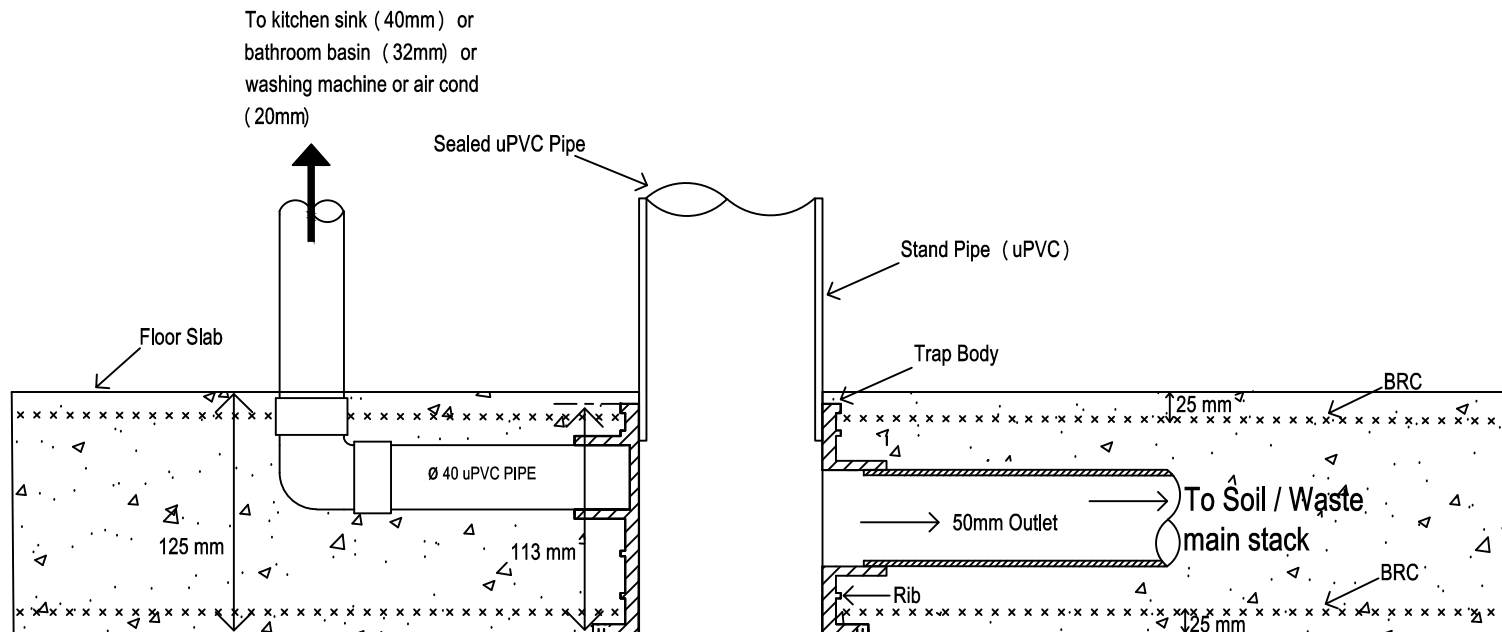
STEP 1

NAIL FLOOR TRAP BODY TO FORM WORK



- Nail / tie trap body to form work / BRC before pouring concrete.**
- Make connections to air con pipe, basin, sink, etc (if any)**
- Make connections from outlet to main stack.**

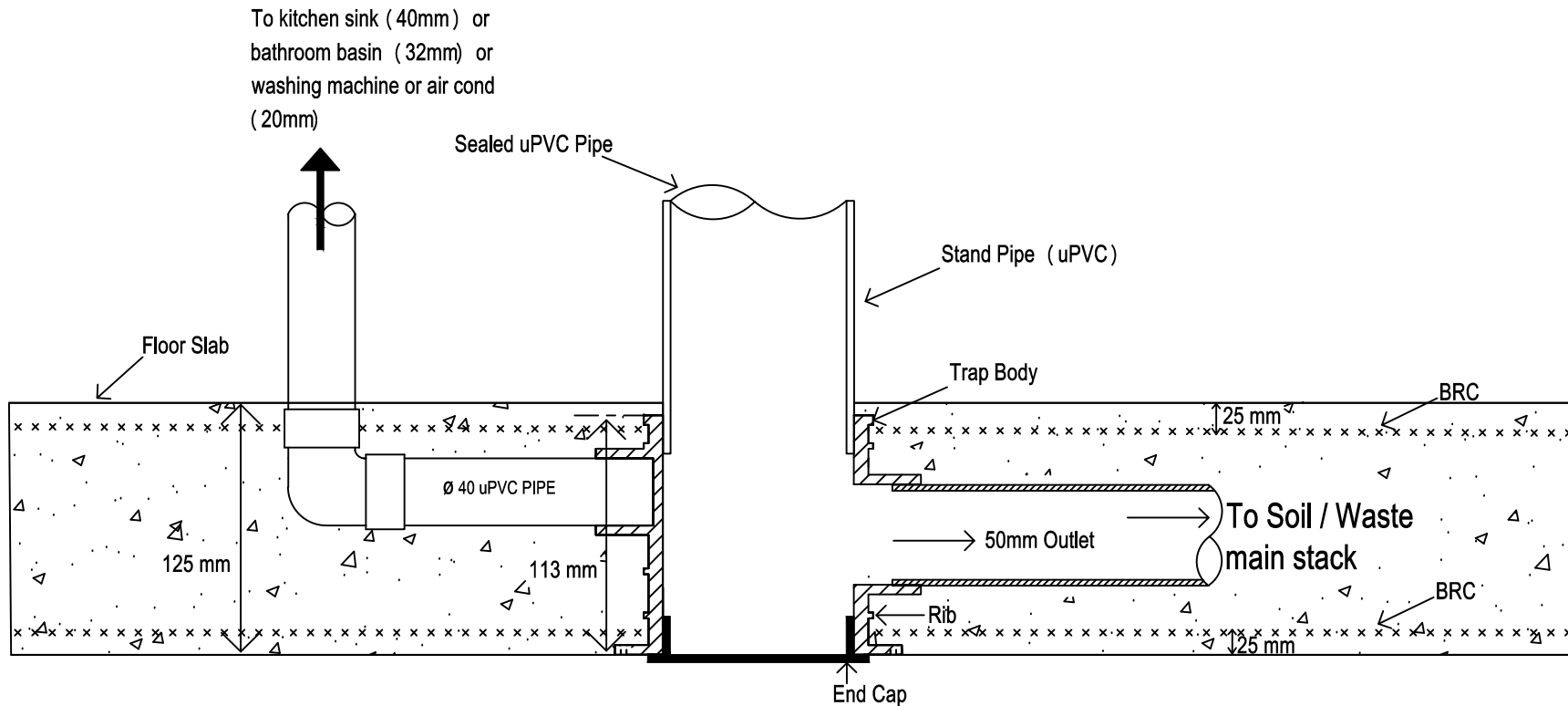
STEP 2 FLOOR TRAP BODY IN SLAB AFTER CONCRETE



- a) Pour concrete for floor slab to required height.
- b) Wait for concrete to cure / harden.
- c) Remove form work

STEP 3

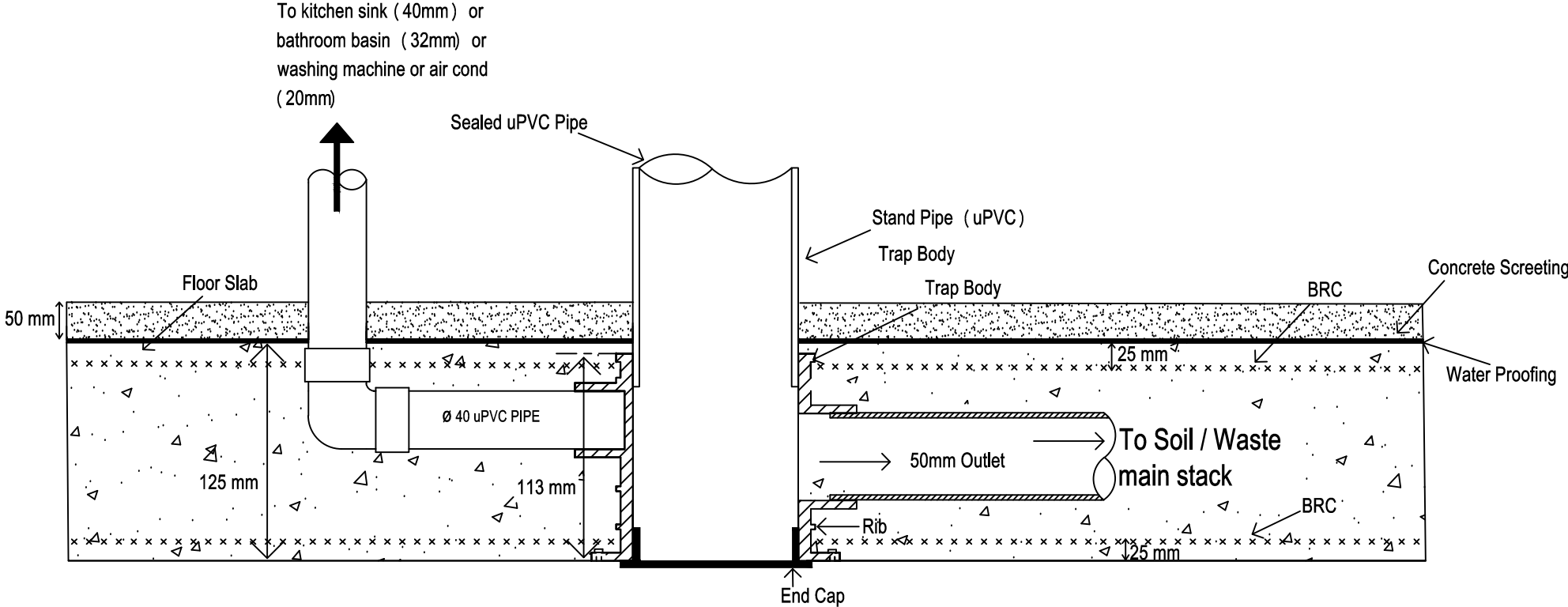
FLOOR TRAP BODY IN SLAB AFTER CONCRETE WITH END CAP



- a) Solvent cement endcap to trap body. Ensure that both bonding surfaces are clean before jointing

STEP 4

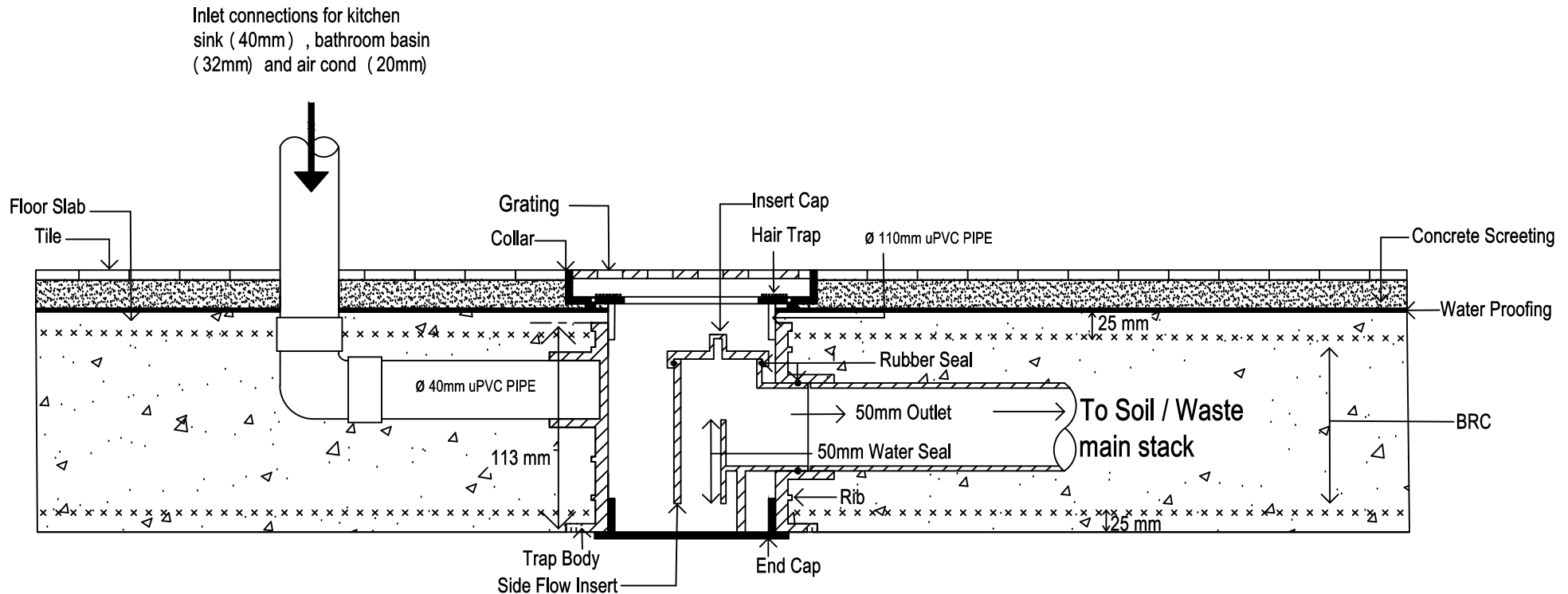
WATER PROOFING AND CONCRETE SCREETING



- a) Apply water proofing (to required height)
- b) Screed to required height

STEP 5

FLOOR TILE, COLLAR, SIDE FLOW TRAP INSTALLATION AND COMPLETE FLOOR TRAP INSTALLATION



- Cut stand pipe (uPVC) to required height before tiling
- Place tiles, ensure that collar is flush with tiles.
- Place side flow trap in the body, than place hair trap and finish job by placing grating.