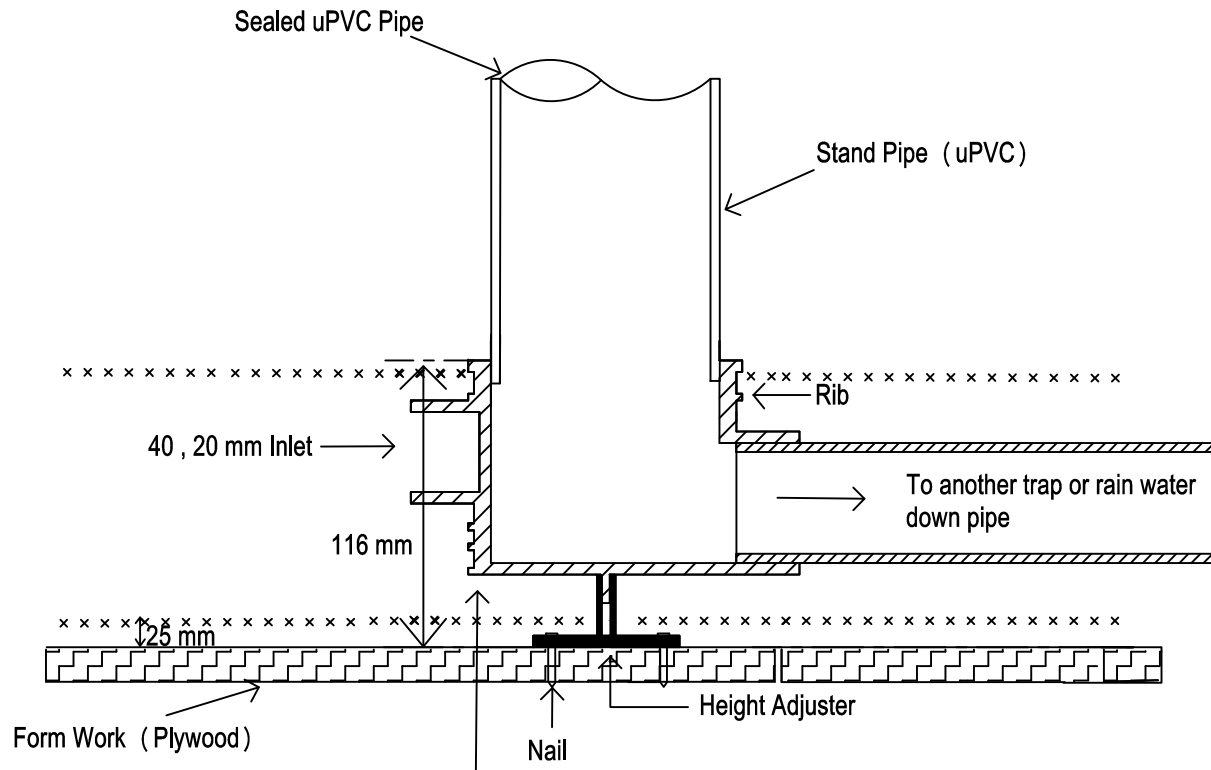


STEP 2

INSTALL THE IN-LINE CONTAINER

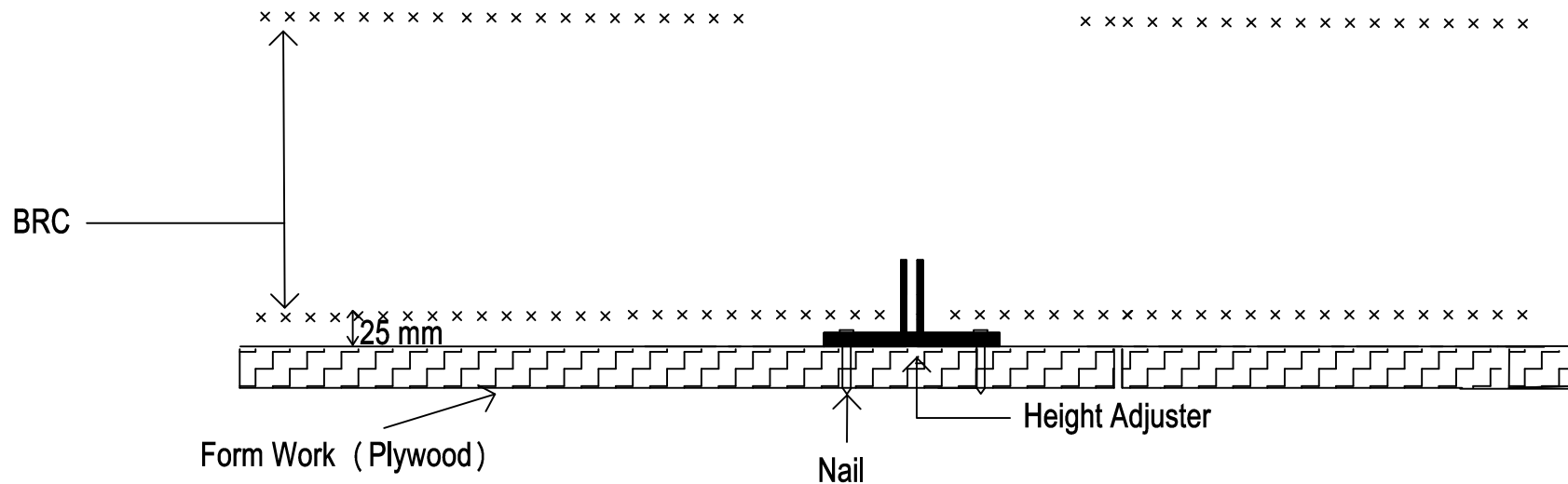


IN-LINE Container
in bathroom or kitchen
is connected to the side
flow trap

- a) Place the in-line container on the height adjuster.
- b) Make connections from outlet to another floor trap or rain water down pipe.

STEP 1

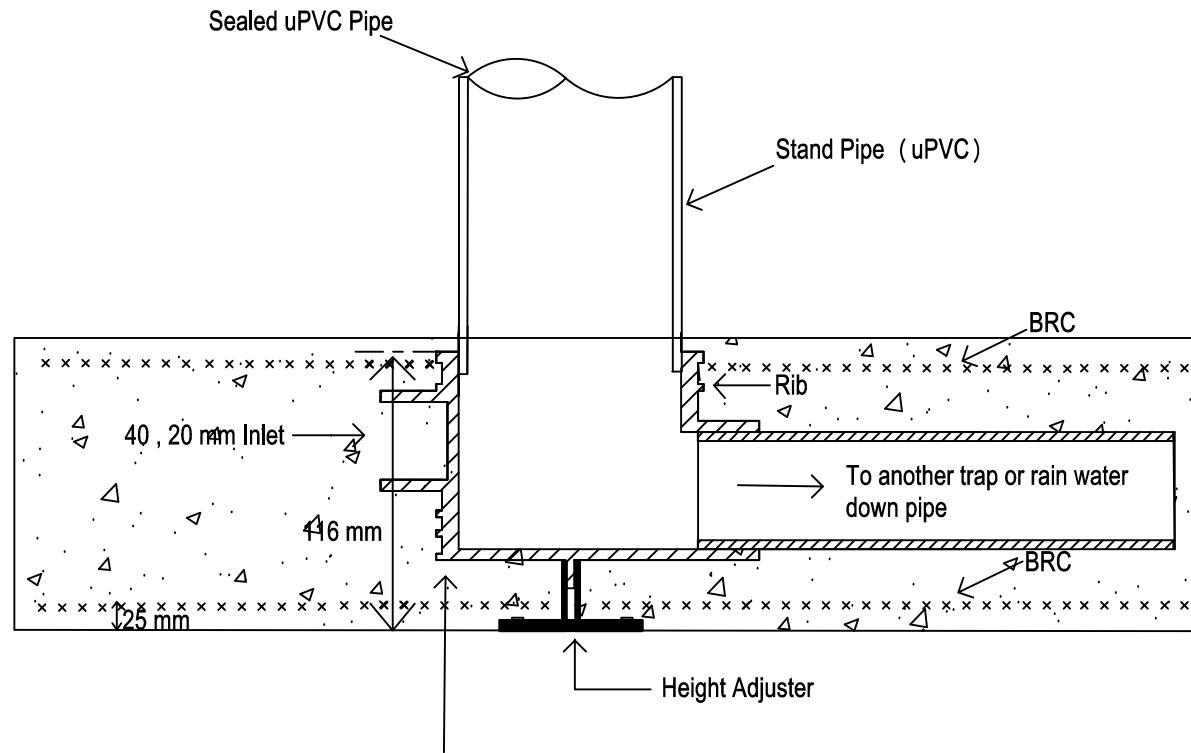
NAIL HEIGHT ADJUSTOR TO FORM WORK



a) **Nail / tie the height adjuster to form work / BRC.**

STEP 3

IN-LINE CONTAINER IN SLAB AFTER CONCRETE

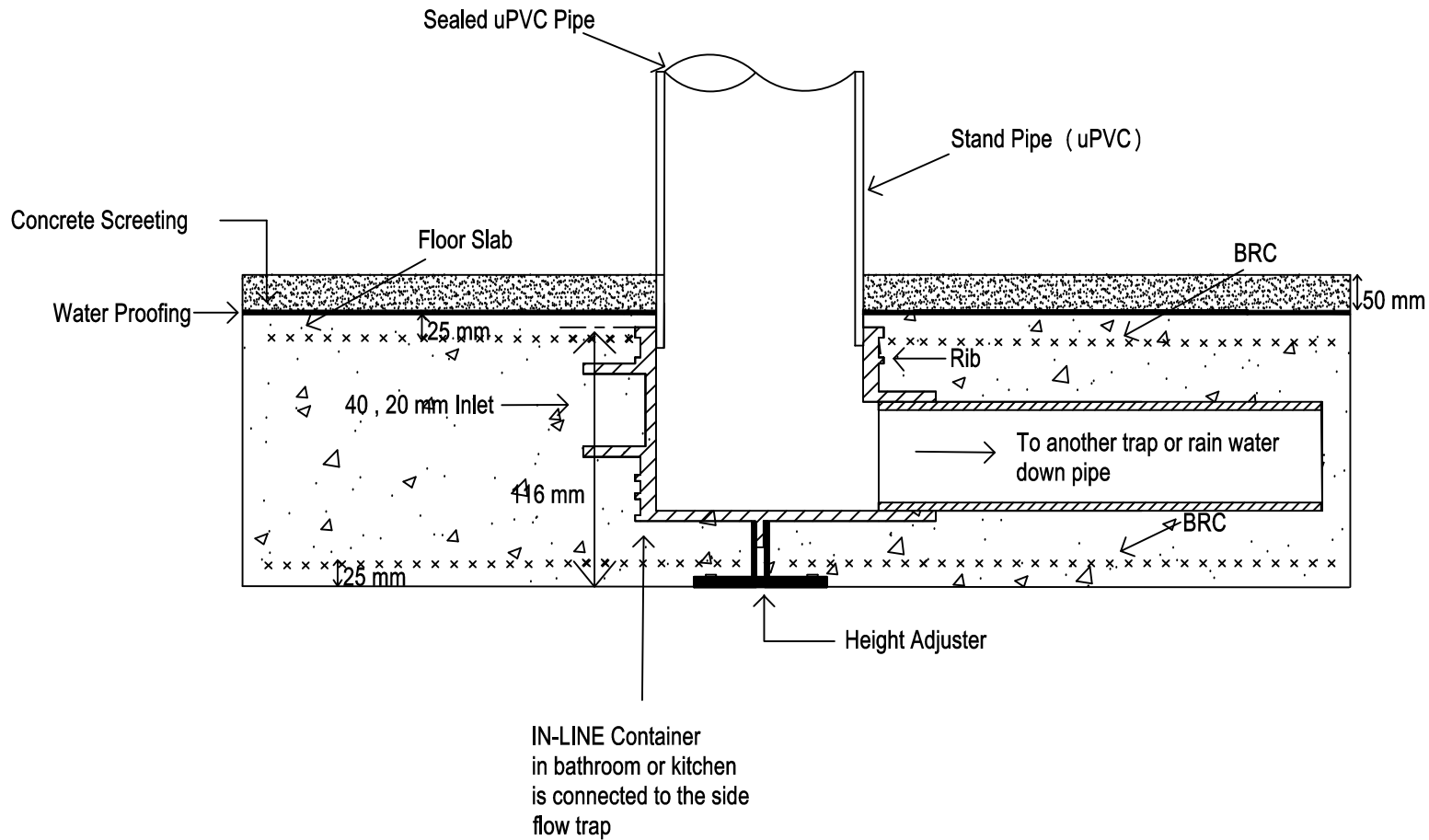


IN-LINE Container
in bathroom or kitchen
is connected to the side
flow trap

- a) Pour concrete for floor slab to required height.
- b) Wait for concrete to cure / harden.
- c) Remove form work

STEP 4

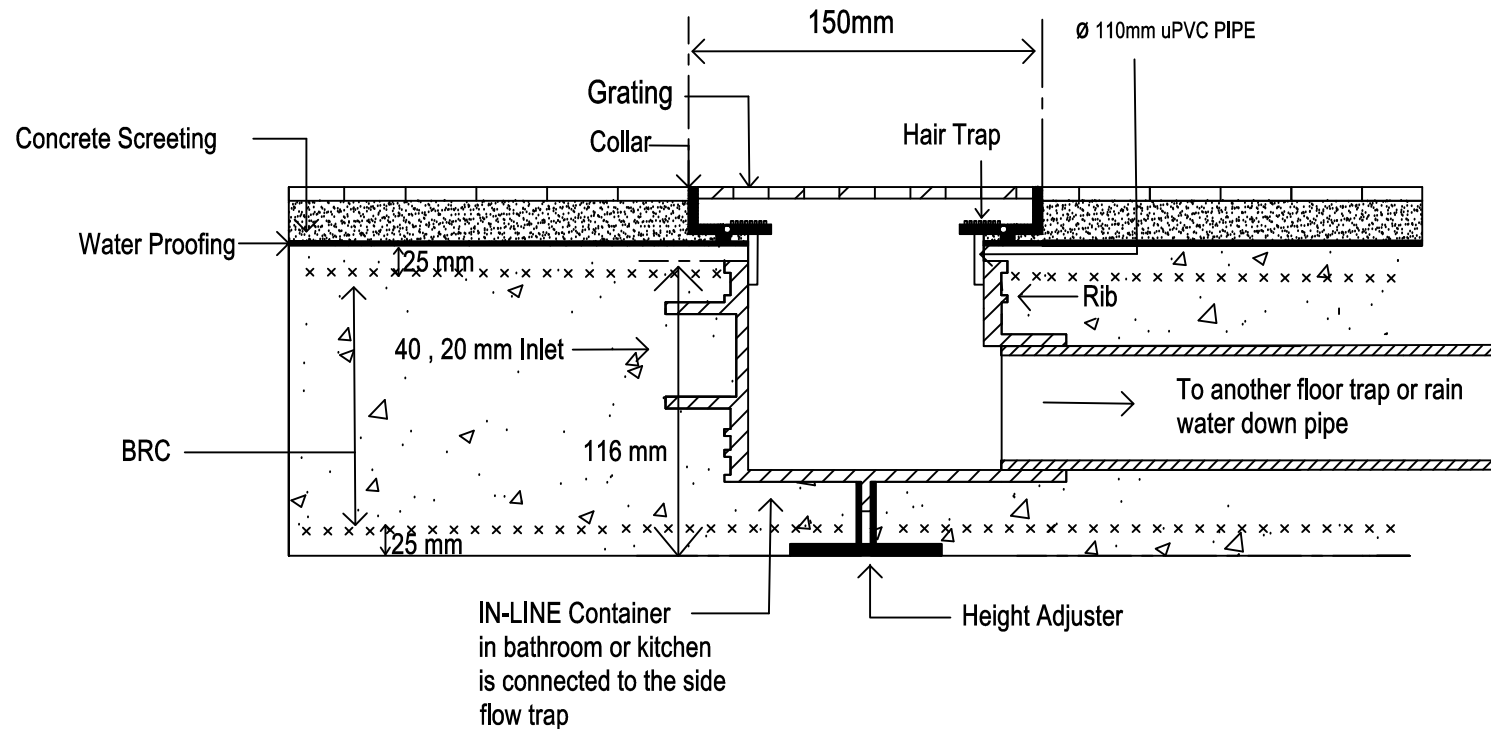
WATER PROOFING AND CONCRETE SCREETING



- a) Apply water proofing (to required height)
- b) Screed to required height

STEP 5

FLOOR TILE, COLLAR, AND COMPLETE FLOOR TRAP INSTALLATION



- Cut stand pipe (uPVC) to required height before tiling
- Place tiles, ensure that collar is flush with tiles.
- Place hair trap in the collar and finish job by placing grating.