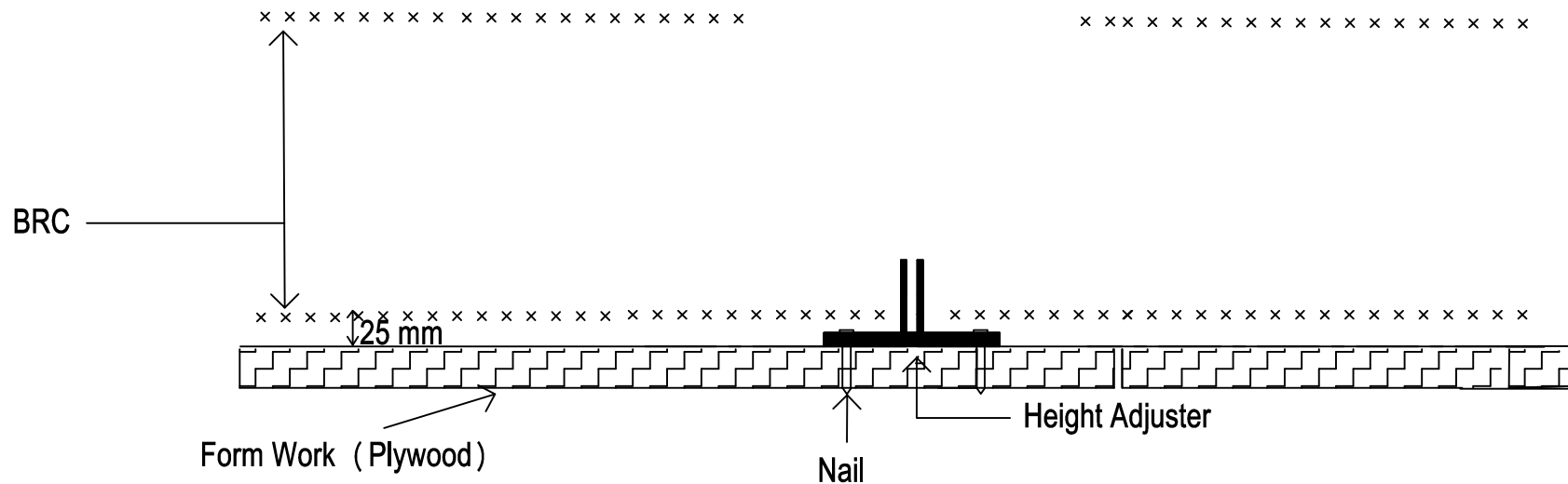


# STEP 1

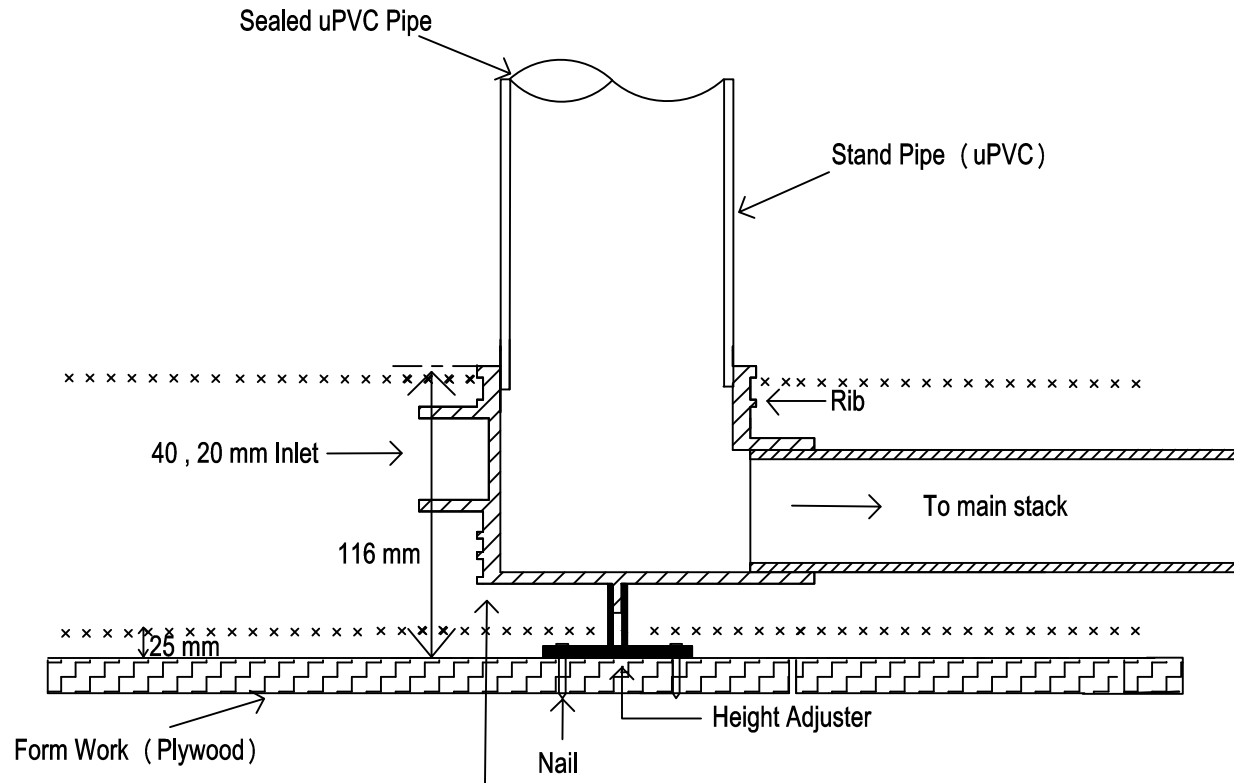
## NAIL HEIGHT ADJUSTOR TO FORM WORK



a) **Nail / tie the height adjuster to form work / BRC.**

## STEP 2

# INSTALL THE IN-LINE CONTAINER

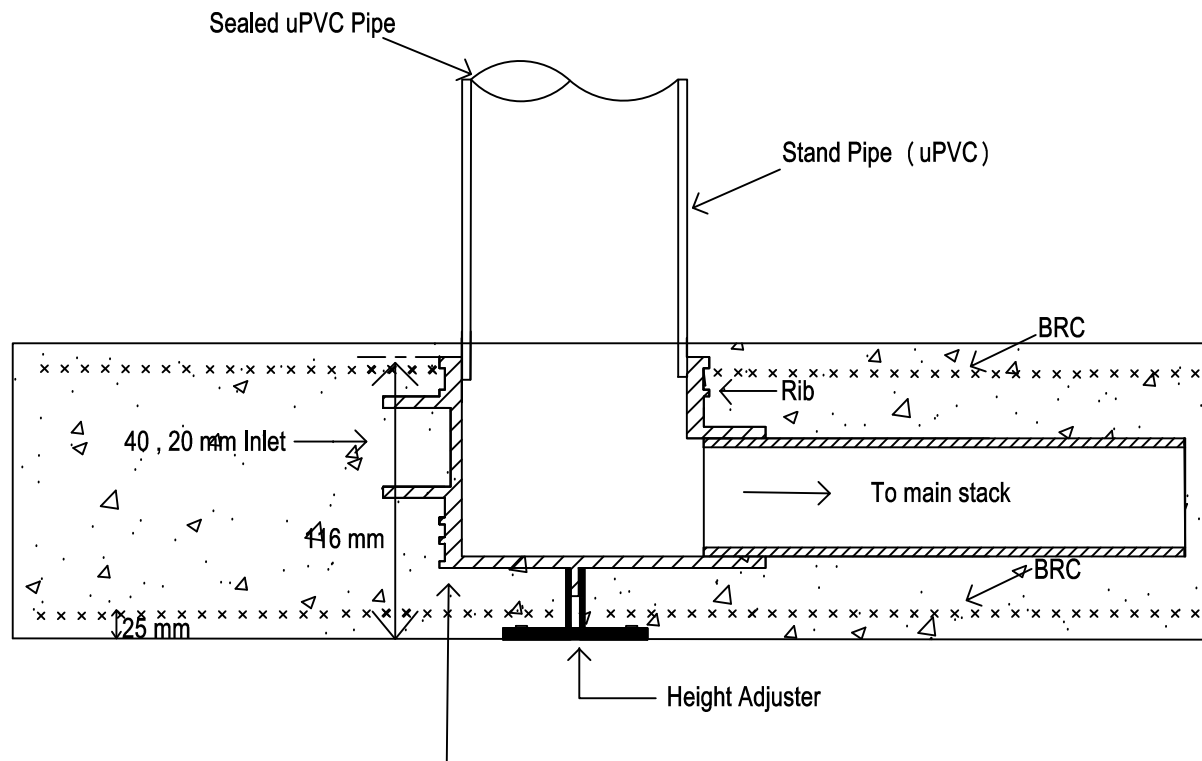


IN-LINE Container  
in bathroom or kitchen  
is connected to the side  
flow trap

- a) Place the in-line container on the height adjuster.
- b) Make connections from outlet to main stack.

# STEP 3

## IN-LINE CONTAINER IN SLAB AFTER CONCRETE

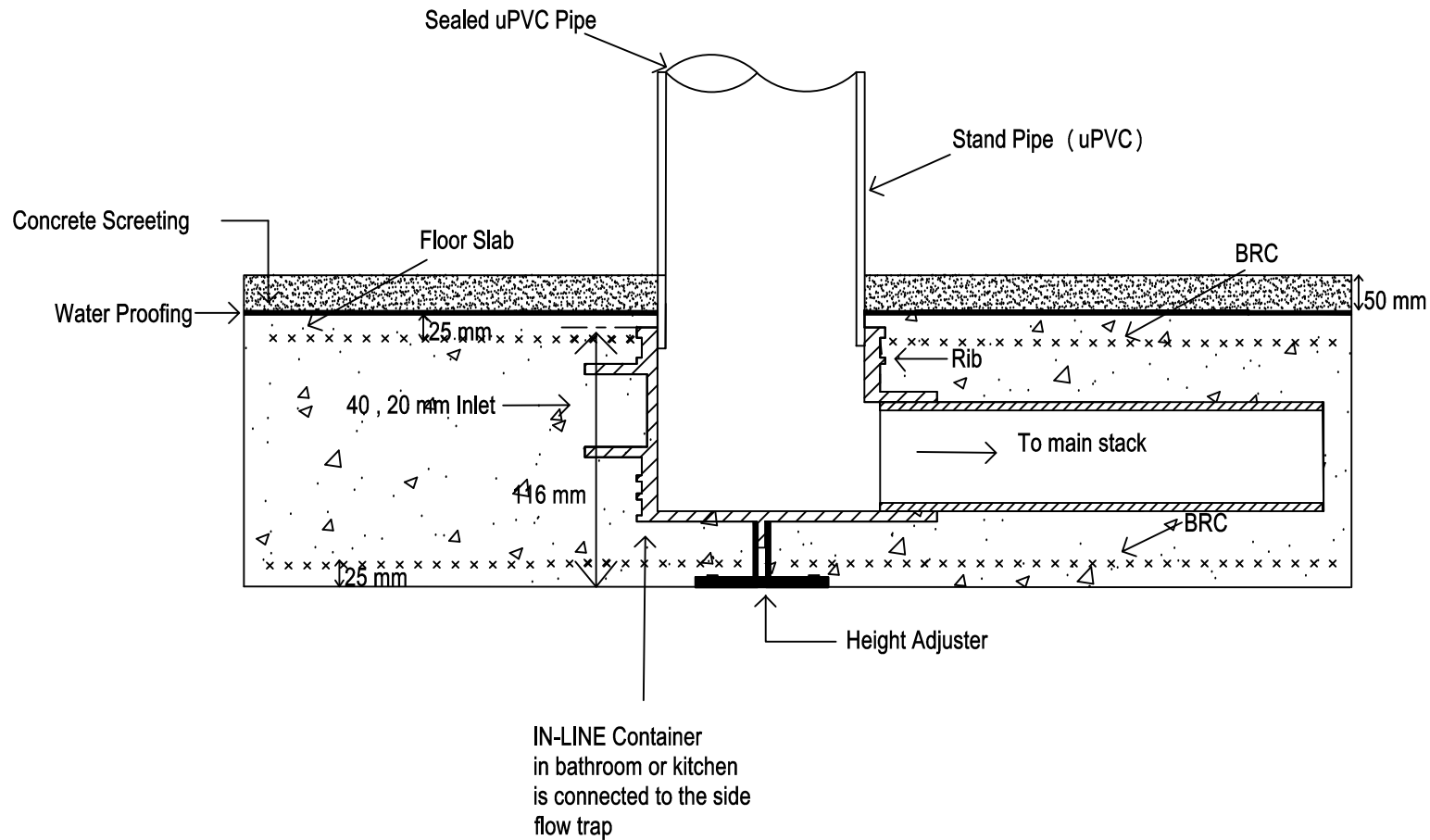


IN-LINE Container  
in bathroom or kitchen  
is connected to the side  
flow trap

- a) Pour concrete for floor slab to required height.
- b) Wait for concrete to cure / harden.
- c) Remove form work

# STEP 4

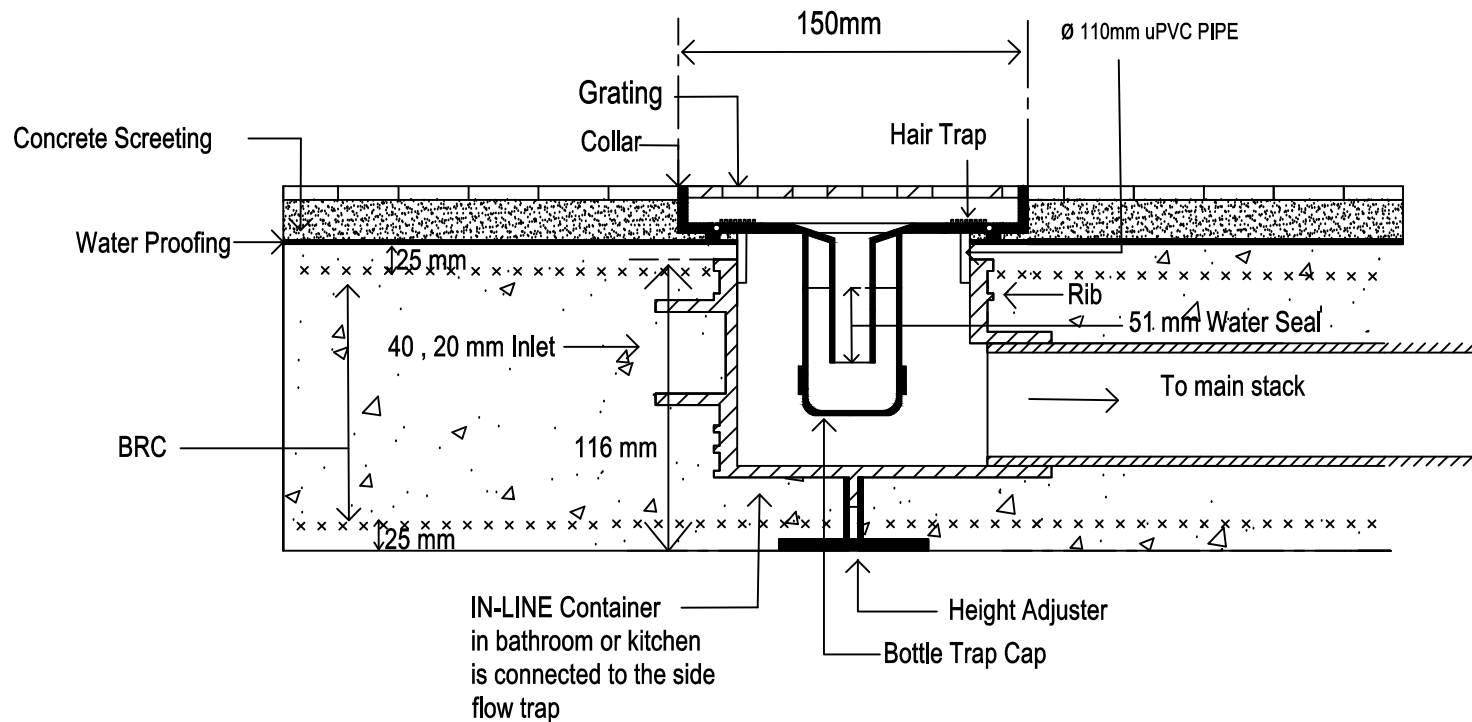
## WATER PROOFING AND CONCRETE SCREETING



- a) Apply water proofing ( to required height )
- b) Screed to required height

## STEP 5

# FLOOR TILE, COLLAR, BOTTLE TRAP INSTALLATION AND COMPLETE FLOOR TRAP INSTALLATION



- Cut stand pipe ( uPVC ) to required height before tiling
- Place tiles, ensure that collar is flush with tiles.
- Place bottle trap in the body and finish job by placing grating.