

Chezy Patented

BS EN 1253-4:2000

Handhole



Precisely Engineered for Telecommunications and Utility Industries

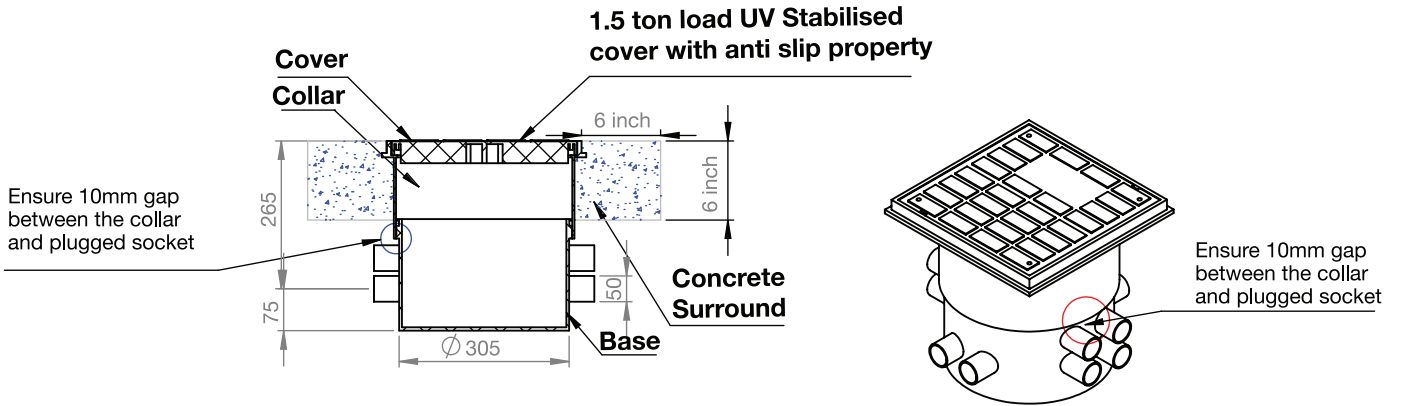
Why you should use our handhole:

- Economical And High-speed Installation
- Total Weight Of Complete Set Is 5kg
- Increases The Installation Speed By 300%!!!

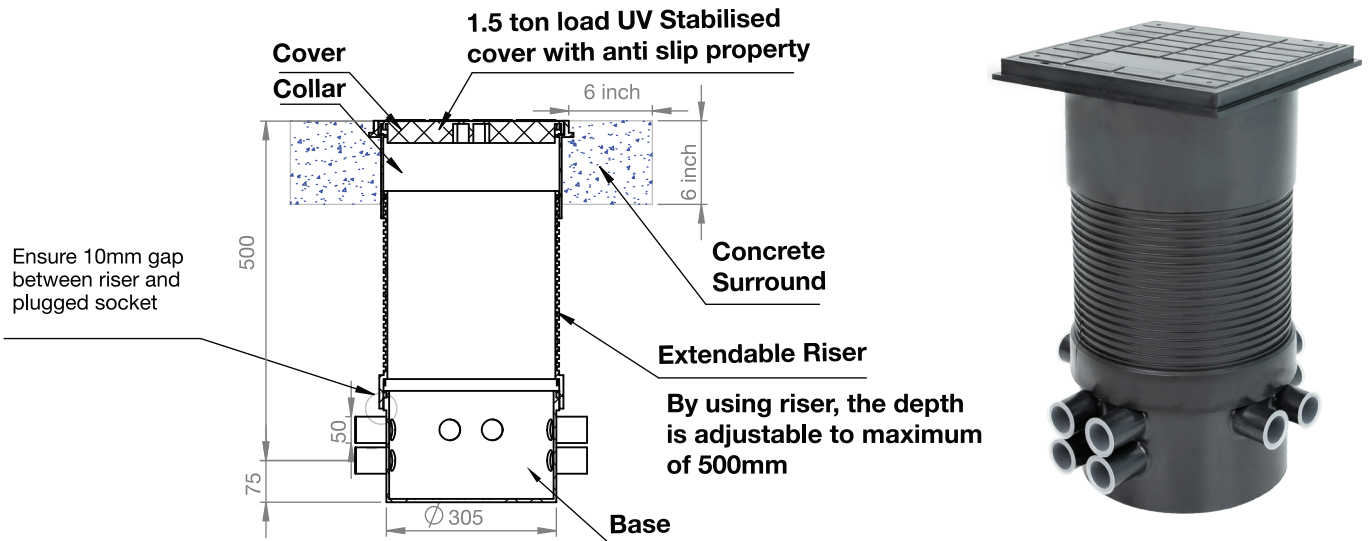


- ✓ UV Stabilized
- ✓ Watertight Cover
- ✓ Slip Resistant
- ✓ Rotatable Base
- ✓ Strong Cover
- ✓ Robust & Lightweight
- ✓ Tough & Hight Impact
- ✓ Built To Last For Generations
- ✓ Adjustable Depth Up To 500mm
- ✓ Lockdown Cover – Anti Theft

STANDARD DEPTH (300mm TO 360mm)



Maximum Depth With Extendable Riser Up To 500mm



Ground Excavation

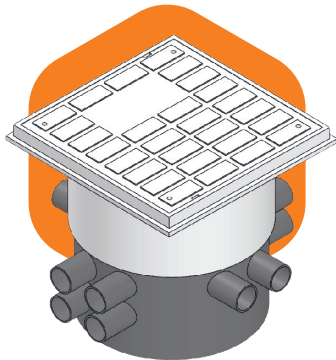
- Use a 600mm auger to dig a hole at the installation site to accommodate the handhole.
- No need to use excavator
- The depth of the hole will depend on the respective handhole height required.



Chezy Handhole (Patented)

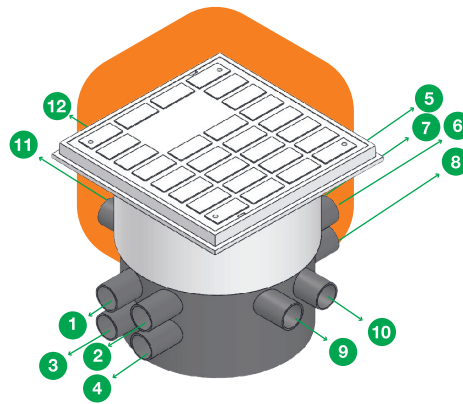
The use of this advanced technology, Chezy Handhole surpasses the handholes being used by the existing telecommunication industry for mini trenching and mini pit. The clear opening into the Handhole is 315mm after removing the cover

Advantages



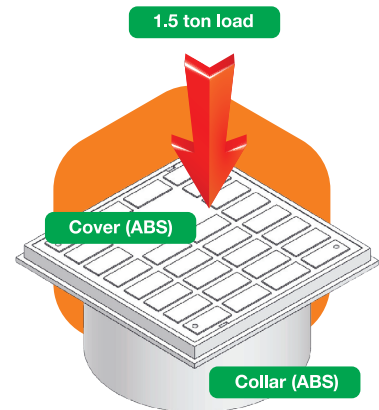
Standard Chezy Handhole Configuration

Our Handhole (360mm depth) weighs only 5kg, including the cover. The lightweight design enables easy handling on-site without the need for cranes or machinery. It can be installed using a 600mm auger, **excavator is not required**. As a result, installation speed is expected to increase by 300%, significant cost savings for the end user.

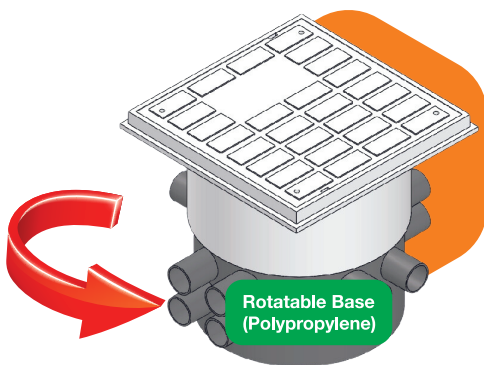


TWELVE (12) 40mm Openings with Plugs

Our Handhole base has **12 plugged sockets**. When required, plugs are removed for incoming 40mm HDPE pipes, as simple as that. Twelve (12) opening sockets **enable numerous connections to be done via one Handhole, cost savings** for end user.



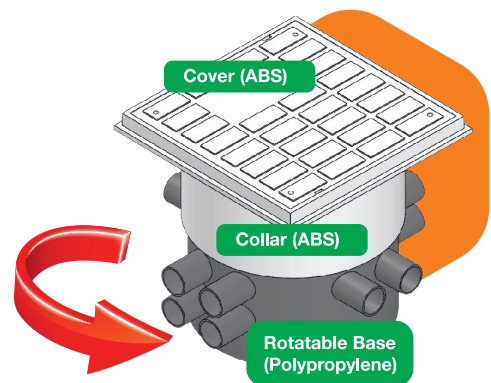
Our Handhole has been tested to be able to **withstand a loading of 1.5 tons** (rated Class L 15 – Areas with light vehicular traffic, such as in commercially used premises and public areas). The cover of the Handhole is also **UV stabilized and slip resistant**.



Our Handhole cover can be parallel to curbs, drains, etc, so that the **incoming cable pipe can be at any angle**. This can be done by **rotating the base** so that the incoming socket direction can fit the direction of the incoming pipe, independent of the cover.



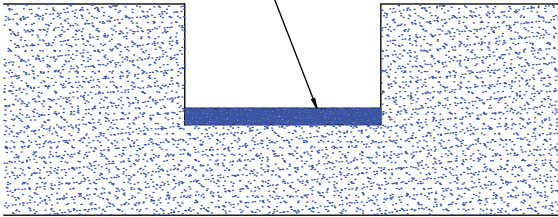
The depth of our Handhole is from 300mm to 360mm (standard depth) and if deeper depths are required, this can be done by using our extendable riser. The **depth of the Handhole can be extended up to 500mm**.



Our Handhole cover and collar is made of **high impact ABS** resin and the **base of the Handhole is made of polypropylene** which is **very chemically resistant**. It will **not react to and is resistant to all chemicals and PH values** found in the ground.

Installation Method

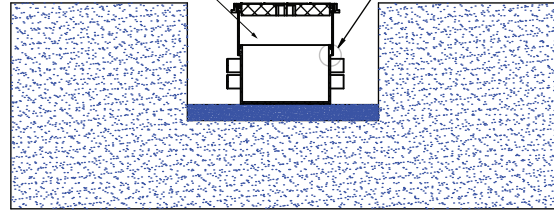
Layer of bedding
(less than 10mm particles in size)



1 Base Preparation:

Ensure that no gravel, stone, or sand is larger than 10mm pressing against the Handhole

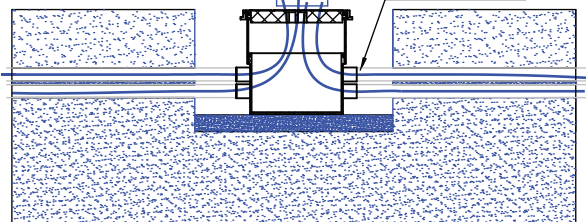
Collar
Ensure 10mm gap between collar and plugged sockets



2 Handhole placement:

Place the handhole in the ground, making sure it is level and secure. Ensure 10mm gap between the collar and pipe sockets.

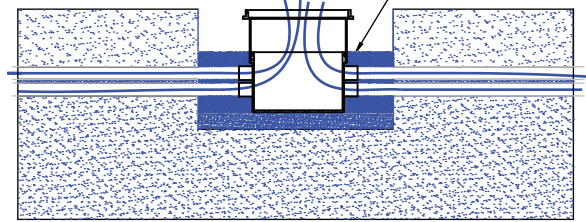
Cables
HDPE Conduit Pipe



3 Cable placement:

Install all necessary cables, conduits, and other content to the base of handhole. Use cable ties or other fasteners to secure the cables in place to prevent any movement or damage.

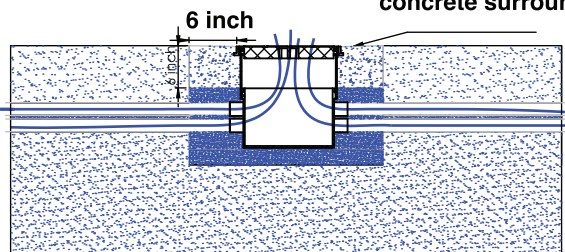
Backfill material
(Less than 10mm in size)



4 Backfill:

Fill the remaining space around the handhole with soil or other suitable material of less than 10mm size, back fill tightly around the handhole to provide stability.

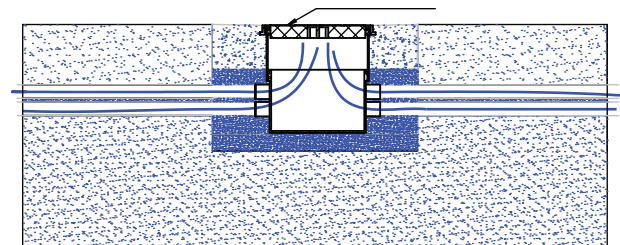
(6inch x 6inch
concrete surround)



5 Concrete surround:

Pour concrete (6 inch x 6 inch) around the handhole to secure it in place.

Water tight Handhole Cover



6 Handhole cover placement:

Install the water-tight handhole cover or lid to protect the contents of the Chezy Handhole. Ensure the handhole cover is flush with the ground level.



CHEZY INDUSTRIES SDN. BHD. (563851-U)
No. 22, Jalan Uranus AK U5/AK,
Taman Subang Impian, Seksyen U5,
40150 Shah Alam, Selangor Darul Ehsan

Phone: 03-7859 9499 Fax: 03-7832 1655

Mail: enquiry@chezy.com.my

Website: www.chezy.com.my